

# Model PM240

## For Air Compressors



### Features

- Measuring ranges from 1bar to 400bar
- Absolute, gauge and sealed gauge
- Accuracy:  $\pm 0.5\%$  FSO or  $\pm 1\%$  FSO
- Calibrated and temperature compensated
- Stainless steel construction
- Piezoresistive pressure sensor design
- Variety of Pressure & Electrical connections
- Output 4...20mA, 0...10V, 0...5V and others

### Product Overview

PM240 pressure transmitter has been designed for use in air compressors and compressed air stations. With measuring ranges from 0...1 to 0...400bar. The PM240 is precision engineered to fit most industrial pressure measurement. The compact and rugged design makes these pressure transmitter suitable for applications including process control systems, hydraulic systems and valves, refrigeration and HVAC controls, air compressors.

A wide range of process connection and electrical connection options are available to meet almost requirement.

### Applications

- Process control systems
- Refrigeration and HVAC controls
- Hydraulic systems and valve
- For air compressors

### Standard Pressure Ranges

Nominal pressure	gauge	sealed gauge	absolute
-1...0bar	●		
0...1bar	●		●
0...1.6bar	●		●
0...2.5bar	●		●
0...4bar	●		●
0...6bar	●		●
0...10bar	●	●	●
0...16bar	●	●	●
0...25bar	●	●	
0...60bar		●	
0...100bar		●	
0...250bar		●	
0...400bar		●	

Other pressure ranges available. Please consult the factory.

Performance Specifications

Parameter	Value	Units	Notes
<b>General</b>			
Pressure Range	-1-0,...,0-1,...,400	bar	1bar=14.5psi
Overpressure	1.5xFS	bar	
<b>Environmental</b>			
Operating Temperature Range	-20 to +85	°C	-4°F to 185°F
Compensated Temperature Range	-10 to +70	°C	14°F to 158°F
Storage Temperature Range	-40 to +125	°C	-40°F to 257°F
Vibration	10	g	20 to 2000Hz
Shock	100	g	10ms
Cycles	10x10 <sup>6</sup>	cycles	
<b>Electrical @25°C(77°F)</b>			
Output Signal	4...20mA    0...5Vdc    1...5Vdc    0...10Vdc    0.5...4.5Vdc(ratiometric)		
Power Supply(Vs)	12...36Vdc    12...36Vdc    12...36Vdc    15...36Vdc    5Vdc		
Load Resistance	<(Vs-12)/0.02A (For current output), >10kΩ (For voltage output)		
Insulation Resistance	100MΩ@50Vdc		

Physical Specifications

Media Compatibility	All media compatible with 316L stainless steel
Housing	304 stainless steel
Diaphragm	316L stainless steel
Seal Ring	Viton or NBR
Oil Filling	Silicone oil
Protection	IP65
Net Weight	Approx.125g

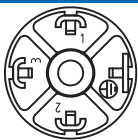

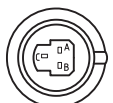

Parameter	Minimum	Typical	Maximum	Units	Notes
<b>Performance</b>					
Accuracy	0.2	0.25	0.5	%FSO	1,2
Temp Coeff - Zero		±0.75	±1.5	%FSO	3
Temp Coeff - Span		±0.75	±1.5	%FSO	3
Long-Term Stability		±0.2	±0.3	%FSO/year	1

Notes

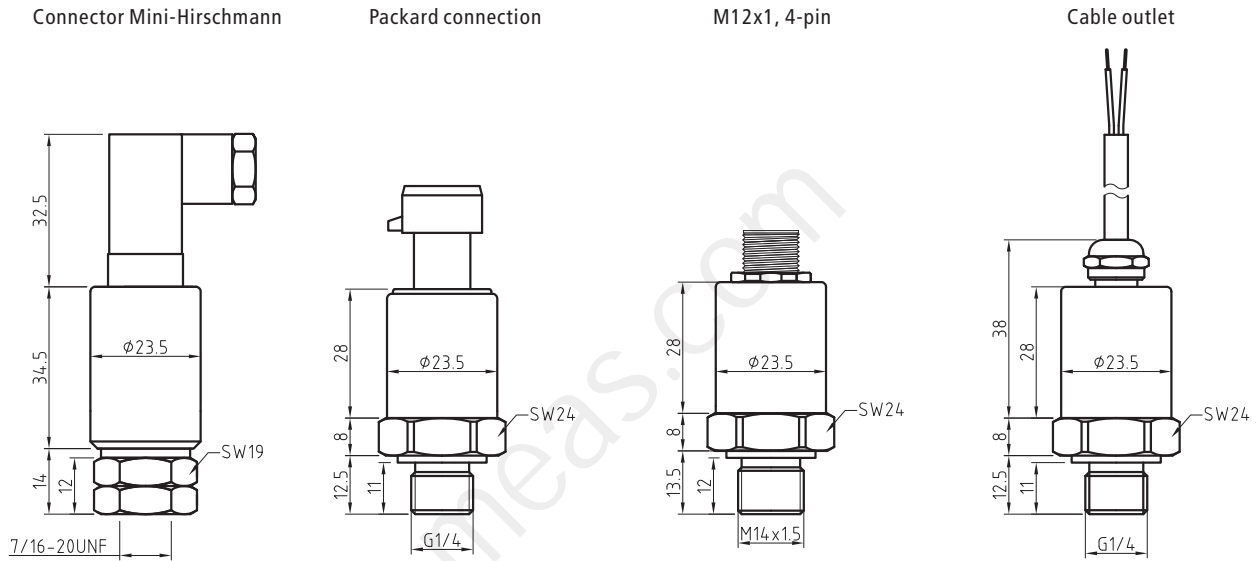
1. All values measured at 25°C(77°F)
2. Including non-linearity, hysteresis and repeatability.
3. -10°C to 70°C(14°F to 158°F) with reference to 25°C(77°F).

The listed specifications and dimensions are subject to change without prior notice.

Connection Diagrams

Connector DIN43650	2-wire(current)	3-wire(voltage)	Cable outlet	2-wire(current)	3-wire(voltage)
	Supply+ 1	1		Supply+ red	red
	Signal+ 2	3		Signal+ black	green
	Gnd -	2		Gnd -	black
Packard Connection	2-wire(current)	3-wire(voltage)	Connector M12x1(4-pin)	2-wire(current)	3-wire(voltage)
	Supply+ A	A		Supply+ 1	1
	Signal+ B	C		Signal+ 2	3
	Gnd -	B		Gnd -	2

**Dimensions (in mm)**



**Ordering Information**

<b>Option1: Model</b>	
PM240	Piezoresistive Pressure Transmitter
<b>Option2: Pressure Ranges</b>	
N001	-1...0bar      0160    0...16bar
0010	0...1bar        0250    0...25bar
0016	0...1.6bar      0600    0...60bar
0025	0...2.5bar      1000    0...100bar
0040	0...4bar        2500    0...250bar
0060	0...6bar        4000    0...400bar
0100	0...10bar       Cxxx    Customized range
<b>Option3: Pressure Type</b>	
G	gauge
A	absolute
S	sealed gauge
<b>Option4: Output Signal</b>	
42	4...20mA
05	0...5Vdc
15	1...5Vdc
10	0...10Vdc
45	0.5...4.5(ratiometric)
<b>Option5: Accuracy</b>	
05	0.5%FSO
10	1.0%FSO
<b>Option6: Electrical Connection</b>	
H	Connector Mini-Hirschmann
M	M12x1, 4-pin
P	Packard connection
C	Cable outlet with PVC-cable,length=1.5m
<b>Option7: Mechanical Connection</b>	
M2	M20x1.5(male)    N4    1/4NPT(male)
G4	G1/4(male)        U7    7/16-20UNF(male)
G2	G1/2(male)        Nx    Customized
PM240	0160    G    42    05    H    G4    Examples of Ordering Code: PM240-0160-G-42-05-H-G4

This data sheet contains product specification, properties are not guaranteed. Subject to change without notice.